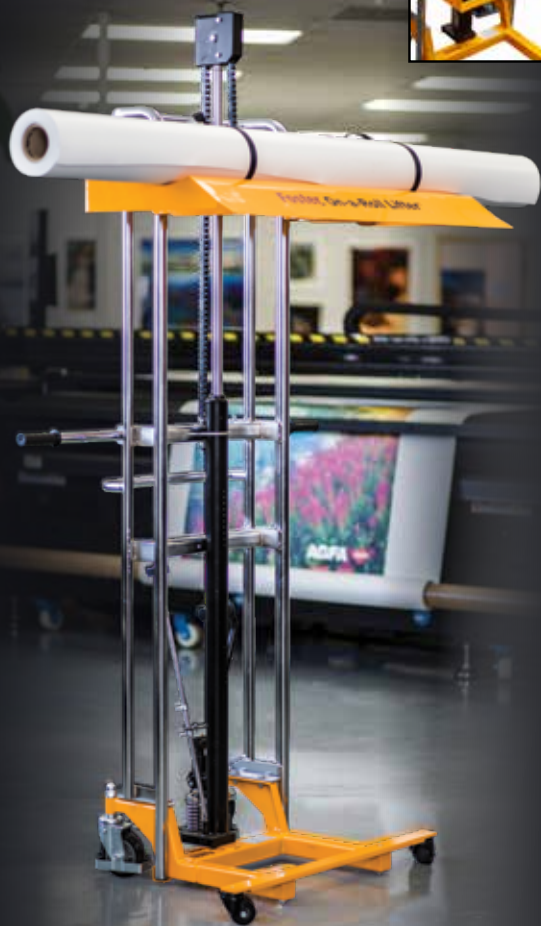


#63161
Roller Platform



ON-A-ROLL LIFTER® HI-RISE

A rugged lifter designed specifically for fabric printers, sign makers, converters, grand- and wide-format printers, or any business with the need to lift heavy media or fabric rolls. Sturdy steel construction permits lifting rolls as heavy as 440 lbs (200 kg) nearly 6 ft (180 cm). Solves the problem of loading converting machines or printers with high inputs. Enables fabric printers to easily lift rolls on to tall production tables for spreading, sewing, or finishing.



IMPORTANT FEATURES

- Reduces on-the-job injuries and enables all workers to move heavy rolls.
- User-friendly operation avoids costly and dangerous handling errors that damage media and potentially injure personnel.
- One-person operation saves time and labor.
- Rugged construction ensures long lifter life.
- Permits using higher than normal storage for media or fabric rolls.

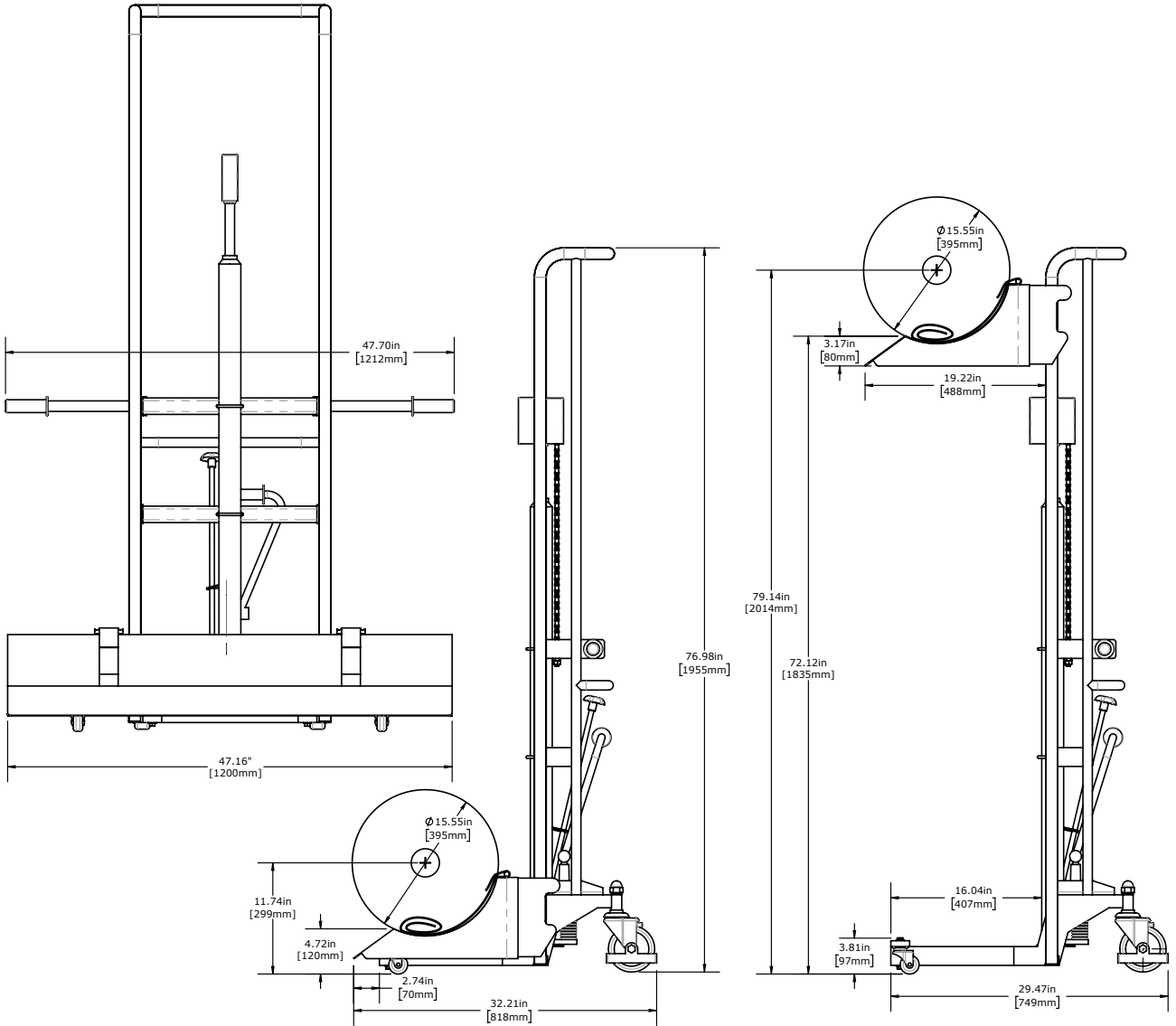
See drawings and dimensions on page 2 to determine if the #61570 is right for you.

MODEL 61570

Roll Weight Capacity.....	200 kg (440 lbs)
Lift Height	180 cm (71")
Max. Roll Width	180 cm (71")
Max. Roll Diameter	47 cm (18.5")
Width x Depth.....	120 cm x 80 cm (47.25" x 31.5")
Height.....	320.5 cm (80.7")
Weight	90 kg (198 lbs)
Bottom Fork Clearance	10 cm (4")
Front Swivel Castors.....	2.36" ø x 1.57"W
Rear Swivel Castors	5" ø x 1.46"W



ON-A-ROLL LIFTER[®] HI-RISE SPECIFICATIONS 61570



Roll Ramp Tray included for easy loading from the floor and handling wide rolls.



Optional # 63161 Roller Platform is designed to allow operators to feed rolls into their machines directly from the lifter.

2-YEAR WARRANTY on hydraulics and media tray.
5-YEAR WARRANTY on cross bars.